



90W (1/8 HP)

TERMINAL BOX TYPE INDUCTION MOTORS Frame size 90mm sq. (3.54 in. sq.)

Single-Phase, Three-Phase

BOX TYPE

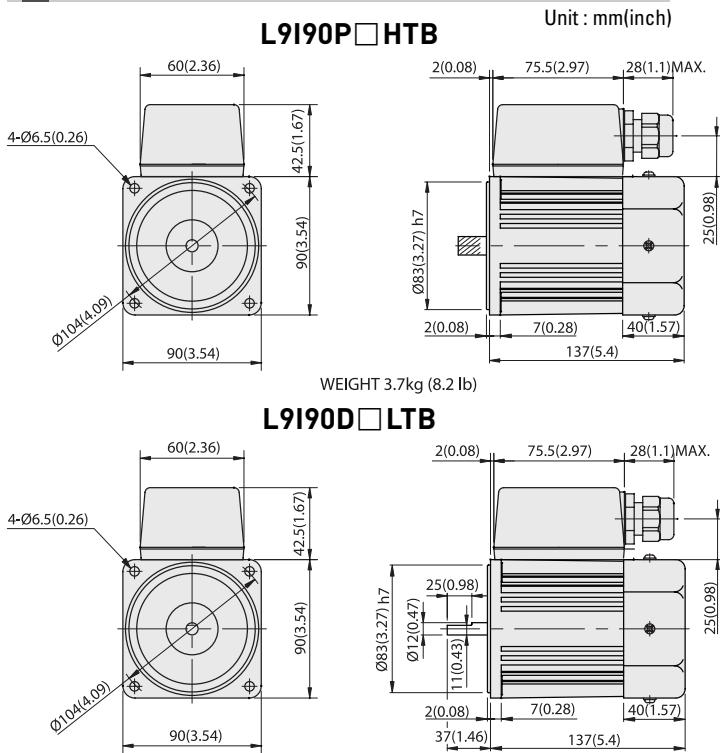
SPECIFICATIONS

CONTINUOUS DUTY, INSULATION CLASS A or E, 4POLES

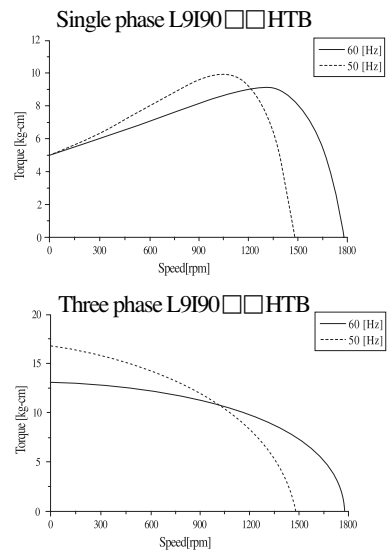
| Model | Output | | Voltage | Frequency | Rated | | | | | | Starting Torque | | | Capacitor |
|--------------------|--------|-----|-------------------------|-----------|-------|---------|--------|-------|---------|-------|-----------------|-------|---------|-----------|
| | (HP) | (W) | | | Input | Current | Torque | | | Speed | (kg-cm) | (N-m) | (oz-in) | |
| | | | (V) | (Hz) | | | (W) | (A) | (kg-cm) | | | | | (N-m) |
| L9I90□C HTB | 1/8 | 90 | 1 \varnothing 100 | 50 | 190 | 1.90 | 6.8 | 0.666 | 94.43 | 1300 | 4.5 | 0.441 | 62.49 | 25 |
| L9I90□D HTB | 1/8 | 90 | 1 \varnothing 200 | 50 | 190 | 0.80 | 6.8 | 0.666 | 94.43 | 1300 | 5.4 | 0.529 | 74.99 | 7 |
| L9I90□B HTB | 1/8 | 90 | 1 \varnothing 220 | 60 | 200 | 1.0 | 5.5 | 0.539 | 76.38 | 1600 | 5.1 | 0.500 | 70.82 | 6 |
| L9I90□E HTB | 1/8 | 90 | 1 \varnothing 115 | 60 | 200 | 1.80 | 5.5 | 0.539 | 76.38 | 1600 | 4.5 | 0.441 | 62.49 | 20 |
| L9I90□X HTB | 1/8 | 90 | 1 \varnothing 220~240 | 50 | 200 | 0.90 | 6.8 | 0.666 | 94.43 | 1300 | 5.1 | 0.500 | 70.82 | 6 |
| L9I90□U HTB | 1/8 | 90 | 3 \varnothing 200 | 50 | 180 | 0.64 | 6.8 | 0.666 | 94.43 | 1300 | 17 | 1.666 | 236.08 | - |
| | | | | 60 | 180 | 0.61 | 5.7 | 0.559 | 79.16 | 1550 | 13 | 1.274 | 180.53 | - |
| L9I90□T HTB | 1/8 | 90 | 3 \varnothing 200~230 | 50 | 180 | 0.66 | 6.5 | 0.637 | 90.27 | 1350 | 19 | 1.862 | 263.85 | - |
| | | | | 60 | 180 | 0.63 | 5.5 | 0.539 | 76.38 | 1600 | 15 | 1.470 | 208.30 | - |
| L9I90□S HTB | 1/8 | 90 | 3 \varnothing 380~415 | 50 | 180 | 0.38 | 6.5 | 0.637 | 90.27 | 1350 | 19 | 1.862 | 263.85 | - |
| | | | | 60 | 180 | 0.37 | 5.5 | 0.539 | 76.38 | 1600 | 15 | 1.470 | 208.30 | - |
| L9I90□R HTB | 1/8 | 90 | 3 \varnothing 440 | 50 | 180 | 0.34 | 6.5 | 0.637 | 90.27 | 1350 | 19 | 1.862 | 263.85 | - |
| | | | | 60 | 180 | 0.32 | 5.5 | 0.539 | 76.38 | 1600 | 15 | 1.470 | 208.30 | - |

- * Model in grey screen represents the motors with THERMALLY PROTECTED according to UL regulation.
- * Model in dark grey screen represents the motors with THERMALLY PROTECTED according to CE regulation.
- * In case of some models certified for export, the special cord like CE or UL is added after the existing model no. ex) L9I60□XH-CE, L9I60□EH-UL.
- * Insulation class for motors which acquired certificates for export is B.

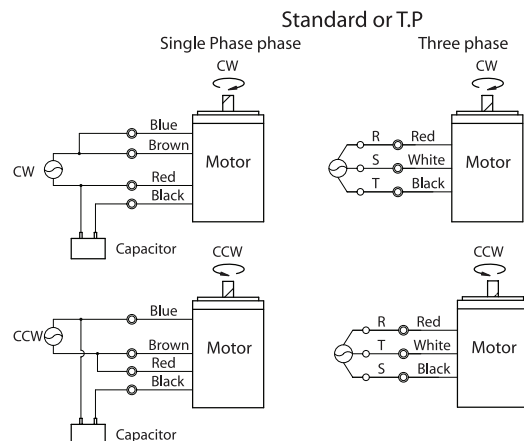
DIMENSIONS



SPEED-TORQUE CURVE



CONNECTION DIAGRAMS



The direction of rotation is seen from the end of motor shaft.

TERMINAL BOX TYPE INDUCTION MOTORS